

## APPLICATIONS

- Sorting for Transportation & Logistics (Express Couriers, Postal applications)
- Sorting for Distribution (large Logistic/Distribution Centers)
- Sorting for Baggage Handling Systems

## ADVANTAGES

- Increased overall product reliability and easy replacement by means of Compact-Flash memory
- Easy and simple configuration thanks to Datalogic GENIUS™ software via simple RS232 serial link or remote Ethernet connectivity
- Features a special 9-pin port for standard Modem connectivity
- Compatible with 6000 and 8000 Family scanners (bus versions)

## HIGHLIGHTS

- Industrial controller for multi-side reading stations
- GENIUS<sup>™</sup> configuration program
- Display and 6-key keypad for diagnostics/statistics
- Rugged industrial housing
- Built-in Ethernet, Profibus and Devicenet connectivity
- Modem connection support
- Enables management of systems redundancy and fast scanner replacement in cases of failure

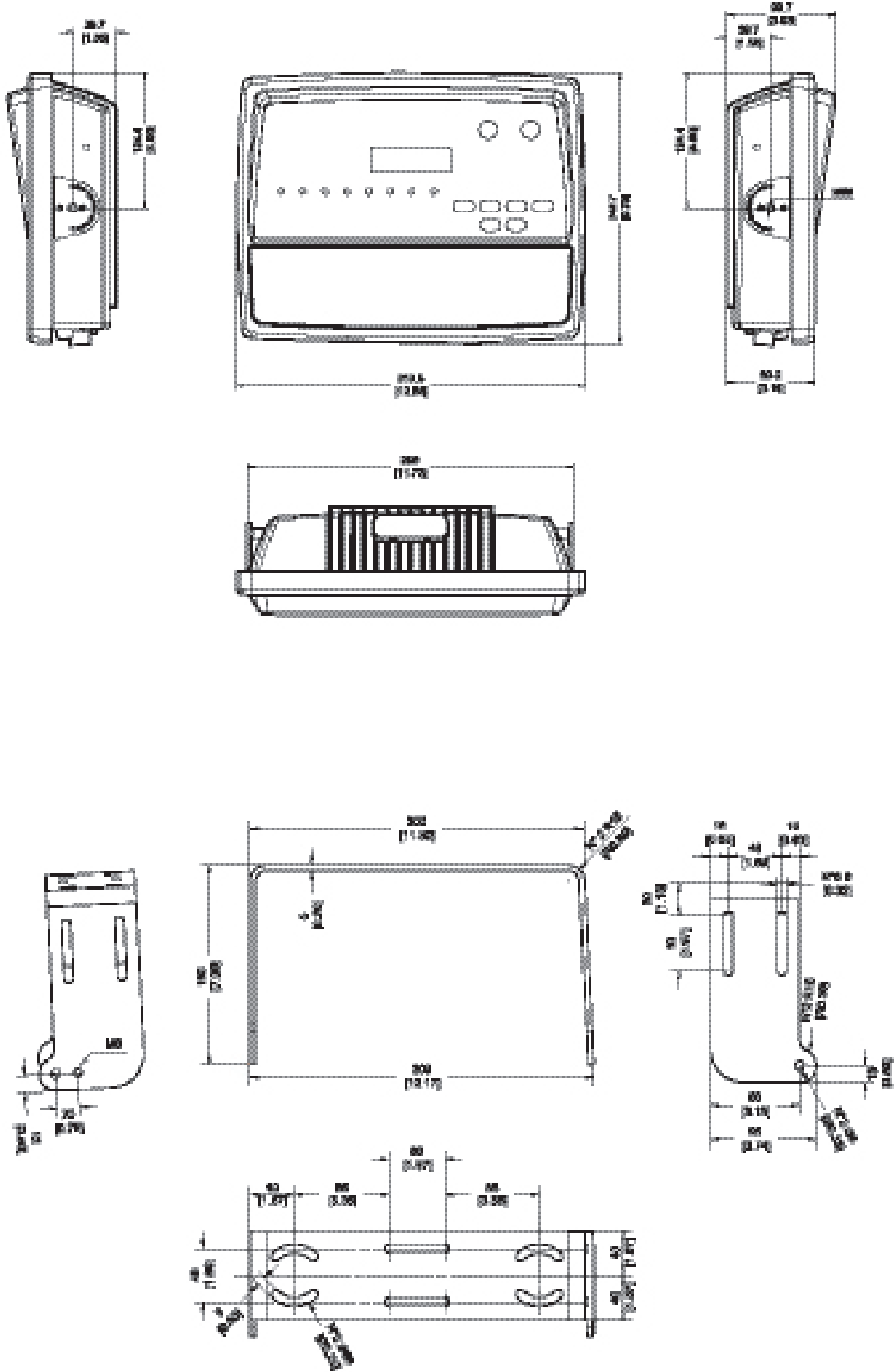
## GENERAL DESCRIPTION

SC6000 is a Datalogic industrial controller specifically designed for omnidirectional and multi-side reading tunnels. SC6000 is based on a robust alloy case divided into two sections: the upper section is composed of a display, keypad and LEDs. The lower section contains the mother board, removable Compact-Flash memory, field bus boards and connector panel. It offers all necessary tools enabling System Installation and Setup, Testing and Maintenance of an omnidirectional reading tunnel. The SC6000 key features are:

- Bus Controller: cluster management and Host interface of a multi-side reading tunnel based on a Lonworks bus.
- Simple and effective diagnostic indications based on a display and LEDs, enabling quick and easy maintenance.
- Remote visibility of all main reading station information thanks to built-in Ethernet, field bus Modem connectivity.



## DIMENSIONS



mm / inch

## MODELS

MODELS	
Order No.	Description
935701000	SC6000-1200 UNIV. CONTROLLER, ETHERNET
935701001	SC6000-1211 UNIV. CONTROLLER, ETHERNET, PROFIBUS
935701002	SC6000-1215 UNIV. CONTROLLER, ETHERNET, DEVICENET
935701003	SC6000-1230 UNIV. CONTROLLER, ETHERNET, ETHERNET

## TECHNICAL DATA

DIMENSIONS	193 x 180 x 71 mm (7.60 x 7.09 x 2.79 in.)
WEIGHT	960 g. (33.86 oz.)
POWER SUPPLY	10 to 30 VDC
POWER CONSUMPTION	5 W max
OPERATING TEMPERATURE	0 to 50 °C (32 to 122 °F)
STORAGE TEMPERATURE	-20 to 70 °C (-4 to 158 °F)
HUMIDITY	90% non condensing
PROTECTION CLASS	IP64
SHOCK RESISTANCE	EN 60068-2-27 30G; 11ms; 3 shocks on each axis
VIBRATION RESISTANCE	EN 60068-2-6 1.5mm; 10 to 55 Hz; 2 hours on each axis
DISPLAY & KEYPAD	20 x 4 characters & 6 keys
DIAGNOSTIC LEDS	Power, TX/RX Data, Ethernet, PS, PS AUX, TACH, Network, Scanner, Controller
COMMUNICATION INTERFACES	Auxiliary: RS232 up to 115.2 Kbit/s Main: RS232/RS485 up to 115.2 Kbit/s, optocoupled Modem: RS232
OTHER AVAILABLE INTERFACES	Ethernet Ethernet and Profibus Ethernet and DeviceNet Ethernet and Ethernet
RAM MEMORY	16 MB
STORAGE MEMORY	2MB FLASH; 32 MB Compact FLASH
DIGITAL I/O	3 inputs/6 outputs, optocoupled
SENSOR SIGNALS	3 inputs (TACH, PS, PS AUX), optocoupled
RELAY SIGNALS	3 outputs
DEVICE PROGRAMMING	Windows™ based SW (Genius™) via Serial or Ethernet link Serial Host Mode Programming sequences

# Legacy Technology Services

**We Rent & Sell All Types Of Barcode Equipment**

Call now to talk to an expert

**866-271-9891**

[www.LegacyGlobal.com](http://www.LegacyGlobal.com)

Some brands we carry



MOTOROLA

**Intermec**

**DATALOGIC™**

**Honeywell**

**EQUINOX**  
PAYMENTS



## About us

- Legacy Technology Services is a leading nationwide provider of mobile computing, barcode, printers and point of sale equipment and services.
- For over a decade, thousands of clients across North America have trusted us to provide equipment from leading manufacturers backed by the services to support them.

## Latest Hardware from top manufacturers

- Legacy handles virtually every major manufacturer of mobile computing, barcoding and point of sale equipment.

## Expert Repair and Maintenance services

- Legacy is one of the best repair facilities in North America

## Discontinued product sourcing

- They don't make it anymore? Our inventory also includes manufacturer close-outs and discontinued equipment to support our clients legacy infrastructure.

## Trade-in and Disposal services

- That old equipment laying around your facility may still have some value. Legacy routinely purchases equipment from our clients around the globe.
  - Data destruction
  - Hardware disposal
  - Auditing services

## Dedicated client account team

- Dedicated, highly trained account managers are here to answer all your questions and provide top notch service.

## Equipment rental services

- Sometimes renting is a better solution, Legacy's huge rental inventory provides the equipment you need for temporary needs and projects.



[Legacy, Inc.](http://Legacy, Inc.)

160 West Road,  
Ellington, CT 06029

Toll Free: 866-271-9891

Fax: 888-522-4684